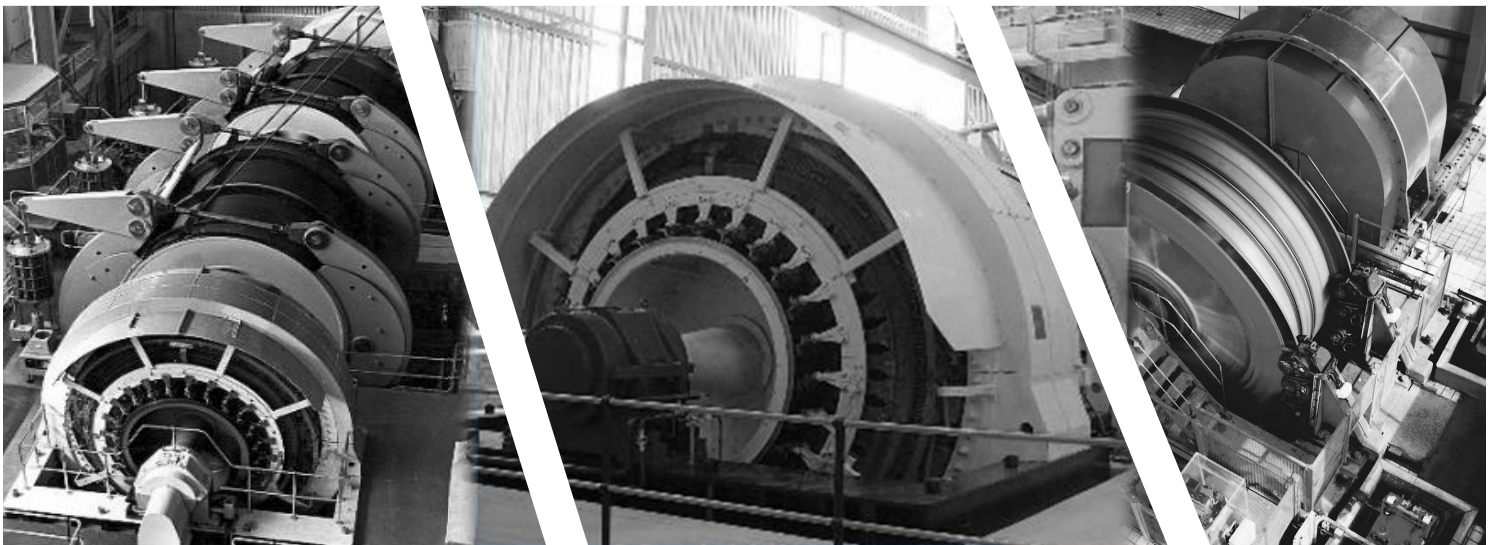
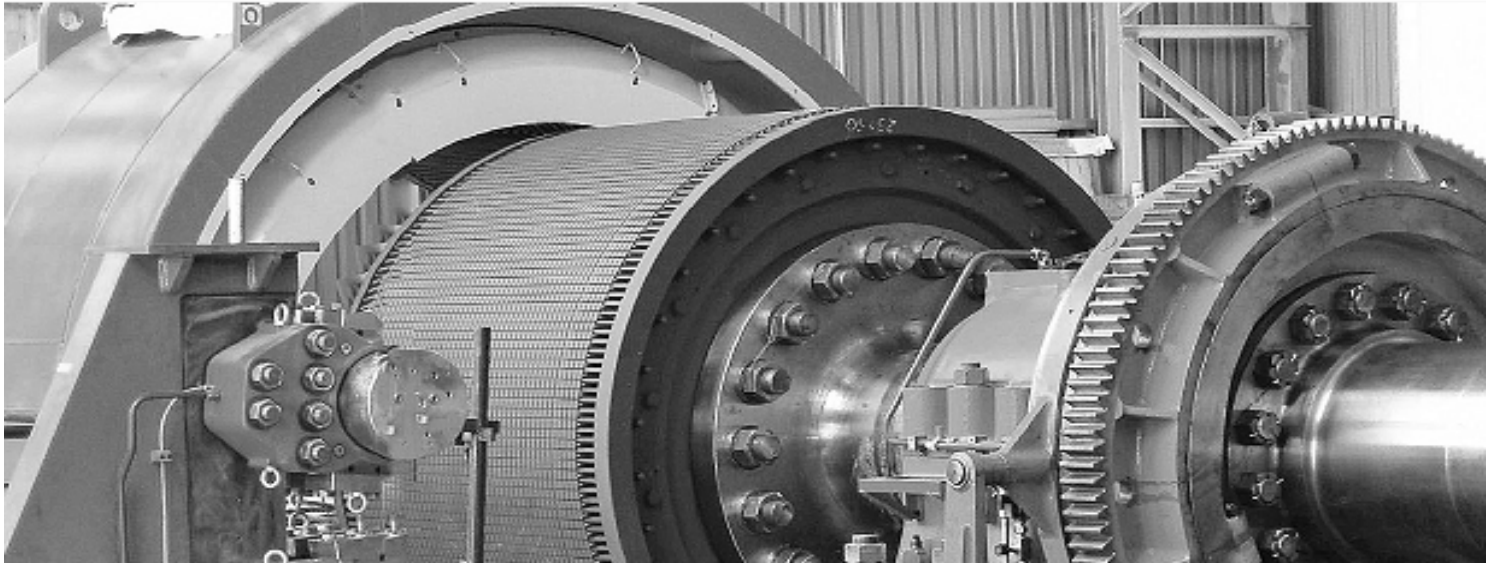


# ACTOM INDUSTRY

## ENGINEERING PROJECTS & CONTRACTS CORPORATE PROFILE



ACTOM is the largest local manufacturer, solution provider, repairer, maintainer and distributor of electro-mechanical equipment in Africa.

**ENGINEERING PROJECTS & CONTRACTS**  
A division of ACTOM (Pty) Ltd

# ACTOM

# Group History

ACTOM (Pty) Ltd is a level 1 B-BBEE Contributor with 59.65% Black Ownership and 35.63% Black Women Ownership. It is the largest manufacturer, solution provider, repairer, maintainer and distributor of electro-mechanical equipment in Africa, offering a winning and balanced combination of manufacturing, service, repairs, maintenance, projects and distribution through its 38 outlets throughout Southern Africa.

ACTOM is also a major local supplier of electrical equipment, services and balance of plant to the renewable energy projects.

It also holds numerous technology, distribution and value added reseller agreements with various partners, both locally and internationally.

# Group Structure

## POWER: JOHN THOMPSON



- New Industrial Fire Tube and Water Tube boilers
- New Emission Control systems
- Retrofit, upgrade, maintenance and repair of Utility and Industrial boilers and Emission Control systems
- Heavy manufacturing and fabrication
- Turnkey Boiler and Sale of Steam projects
- Air Pollution Control

## POWER CONVERSION



- Electrical Machines
- Large Motors
- Laminations and Tooling
- HVAC Systems
- Static Power
- Alkaline Batteries
- Com10

## ENGINEERING PROJECTS & CONTRACTS



- Industry
- Contracting
- Power Systems
- Signalling
- ARNOT Vibration Solutions

## HIGH VOLTAGE EQUIPMENT



- HV Circuit Breakers
- High Voltage GIS
- Disconnectors
- Instrument Transformers
- Reactive Power Compensation Equipment
- Surge Arresters
- Insulators
- Isolated Phase Busbars

## MEDIUM VOLTAGE & PROTECTION



- Medium voltage AIS & GIS Switchgear
- Mini-substations
- Credit, Prepayment and SMART Metering solutions
- Protection & Substation Automation and Energy Management Systems
- ORHVS and Mini-APPS training courses
- Current and voltage Transformers

## POWER TRANSFORMERS



- Ratings up to 315MVA
- All voltages up to 275kV
- Oil Immersed with ONAN/ONAF and ODAF cooling
- On-load tap changing
- Site erection & commissioning

## DISTRIBUTION TRANSFORMERS



- 16kVA up to 5MVA
- Pole and platform mounted transformers
- Single, dual and three phase transformers
- NEC/NER Auxiliary transformers
- VSD applications
- Amorphous core low-loss transformers
- Renewable applications

## LH MARTHINUSEN



- Transformers
- Rotating Machines
- Repair and refurbishment
- Specialised manufacturing
- 24/7 Engineering services
- Load testing to 5 MW
- Oil analysis and regeneration
- Condition Assessment

## REID & MITCHELL



- Repairer, Manufacturer & Exporter of Electrical Rotating Equipment for Mining, OHV and Traction Equipment
- Repairs, Rebuilds and Services on Rotating Equipment and Controls
- Metalplus: Mechanical repair workshop including specialist large shaft micro-welding

## MARTHINUSEN & COUTTS



- Provides 24/7 repairs & maintenance, customised manufacture & design and on-site engineering services for all electrical and mechanical rotating machines
- Generators & turbines, all AC & DC, flameproof and traction motors, compressors, fans, blowers, pumps, gearboxes, centrifuges etc.

## ELECTRICAL EQUIPMENT



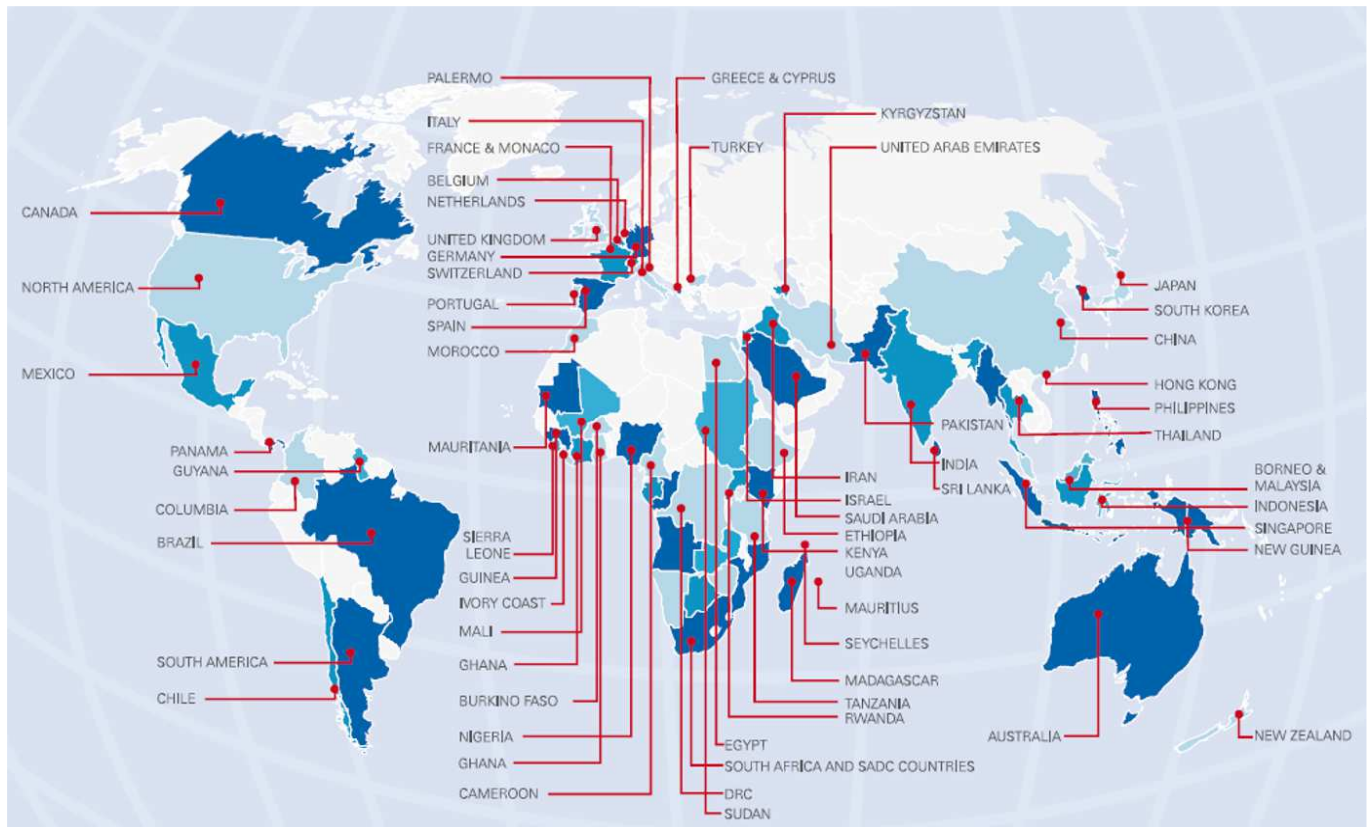
- Stockist of Group product in 14 branches
- Power cables, accessories, line equipment
- Street and floodlighting
- Lamps, LED and general lighting
- Fans and heating
- Heating element & controls
- Solar water heating solutions

## ACTOM ENERGY



- Solutions Business, ACTOM System Integrations in Africa
- Electrowave Cape and Hydron Hydraulics servicing international marine, naval and offshore oil & gas markets
- NAR is an electrical motor repairs and hydraulic services centre

# Global Footprint



# Management Team



**Andries Mthethwa**  
Chairman



**Mervyn Naidoo**  
Group CEO



**Sybrand Nel**  
EPC Divisional CEO



**Janna Kapp**  
ACTOM Industry General Manager

---

---

# Actom Industry Overview

ACTOM Industry is the ACTOM group's Mine Winder Hoist Expert with modern power electronic drive, control and switchgear technology, providing turnkey solutions worldwide for most specialised industrial rotating drive and power applications in mining, metals, paper and process industries.

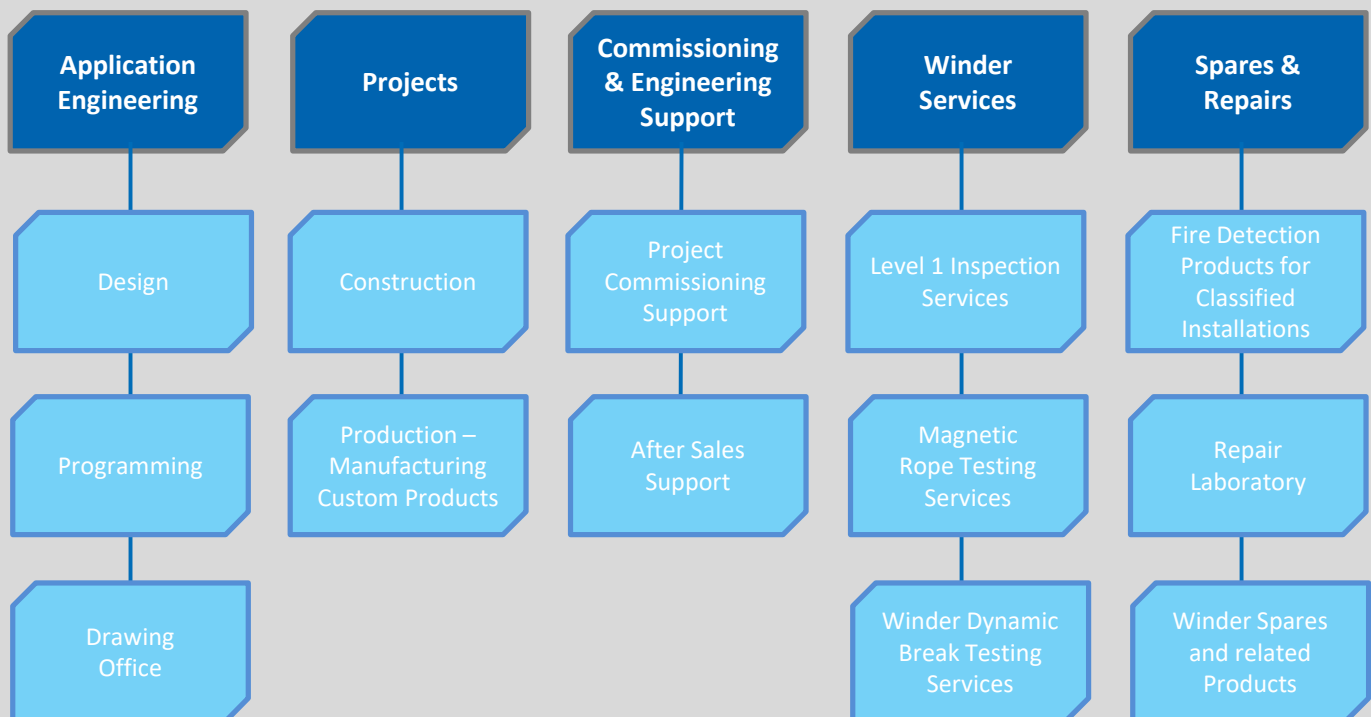
Our business has enhanced the consolidated technologies and expertise of Metropolitan Vickers, BTH, English Electric, AEI, GEC, GEC Alsthom, Cegelec and AEG, the founding companies of the Group, and remain amongst the world leaders in Mining and Metal industries.

Applications for our systems, ranging from basic standard drives to sophisticated custom-built AC and DC variable speed control, can be found in mine winder hoists, mills, pumps, fans, compressors and process plants across a broad spectrum of industry. We manage projects from design to commissioning, inspect and maintain, provide emergency support, do repairs and provide various condition assessment services.

## Actom Industry - Structure

ACTOM Industry employ a team of qualified and experienced Sales Engineers, Application Design Engineers, Project Managers, Construction Staff, Commissioning and Engineering Support Staff, Winder and Rope Inspectors, Electronics & Mechanic Repair Technicians, Specialised Fire Detection Systems Technicians and Sale Representatives taking care of our customer need.

We have full in-house capability deliver turn key Drive, Control and associated Power and Switchgear projects. We perform full or partial upgrades, assist with legacy motor refurbishment as well as switchgear replacement. Our products and installations are backed with maintenance, condition assessment inspection, breakdown support, repairs and spares.



# Products & Services

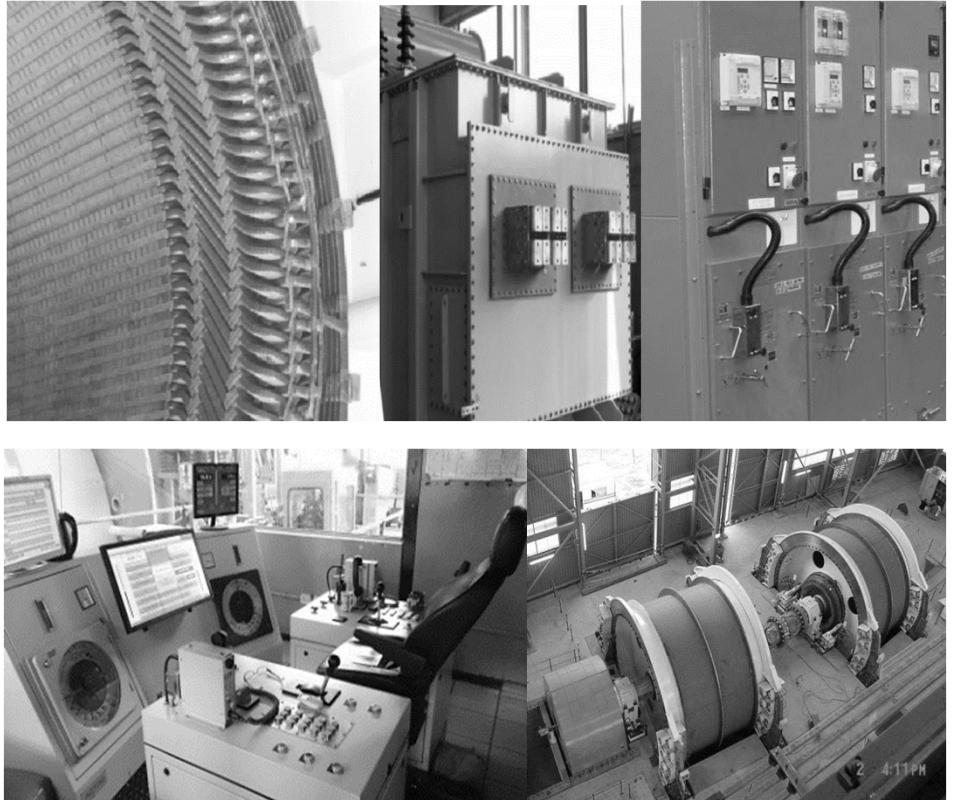
## We offer:

- Winder Hoist Expertise
- Switchgear, DC Circuit Breakers and MCCs
- Protection
- Transformers
- AC/DC Drives
- PLC / IPC Controls
- HMI / SCADA / Data Logging
- Instrumentation
- Motors and MG Sets
- Technology Partnership with leading Brand Manufacturers
- Products to IEC and SANS specification
- Proven Products and Systems
- Access to our Founding Group Legacy equipment OEM data
- Customization to client needs
- Turn Key Projects
- Maintenance and Inspections
- Repair
- Breakdown Support
- Spares and Components

ACTOM Industry's product portfolio includes a full range of medium voltage switchgear, low voltage power distribution switchgear, motor control centres, transformers, drives, DC circuit breakers, motors, encoders, controls and diagnostic software packages for all AC and DC drive applications.

We have the complete local in-house capability to calculate duties, design, manufacture, install, commission, project manage and render proactive maintenance and emergency support for our present installed base across the African continent.

Our experienced application engineers will advise on a selection of the most techno-economically suitable products and solutions for each unique application.



Global Footprint + Africa Presence

Level 1 BEE Contributor + Proudly SA

Mine Winder Expert

Proven Standard + Custom Solutions

Turn Key Projects + After Sale Support

# Switchgear & DCCB

Medium and low voltage switchgear as well as DCCB (DC circuit breakers) compliant with the latest IEC and SANS standards and customised to client specific requirements, can be provided as part of new drive installations or as replacement during partial switchgear upgrade and replacement projects.

Our engineers will take responsibility for FAT & SAT (Factory and Site Acceptance Test) to prove the integrity and correct functioning of the power circuit, controls and protection. We also offer MV cable jointing and termination, protection and grading as well as substation automation services on switchgear projects.



## We offer:

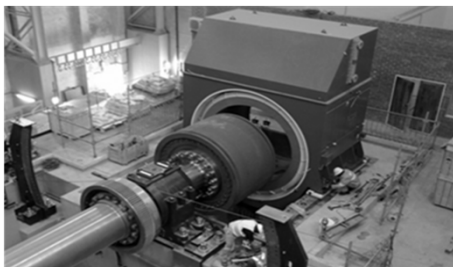
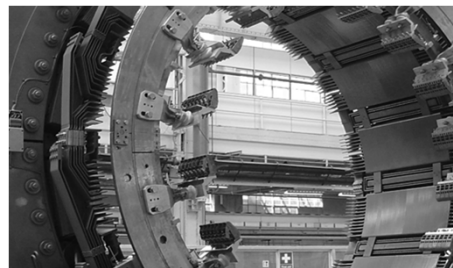
- MV Switchgear
- LV Switchgear
- Motor Control Centres
- DC Circuit Breakers
- Protection Upgrade
- Substation Automation
- Products to IEC and SANS specification
- Customization to client needs
- Factory and Site acceptance
- MV cable jointing/termination
- Turn Key Switchgear Projects

# Motors & MG Sets

Selection, supply and installation of suitable AC or DC motors can be offered to operate in conjunction with our drives and controls.

ACTOM Industry can offer both standard and custom-built replacement motors and generators as well as repairs, refurbishment, insulation upgrade or replacement parts for most legacy motors and generators manufactured by the founding companies of the Group.

We also offer condition assessment support for these machines.



## We offer:

- New AC/DC Motors
- Replicate replacement for Legacy Rotating Machine
- Partial or Full Refurbishment and Insulation upgrade on Legacy Rotating Machine
- Installation of Rotating Machine
- Inspection and Testing Services
- Replacement parts for Legacy Rotating Machine
- Parts Manufactured by OEM

# Drives & Controls

ACTOM Industry's drives and control solutions were developed and refined over many years to serve each unique application. Our engineers will advise on a selection of the most techno-economically suitable AC or DC drive and control solution for your application.

While we strive to extend the support and repair of our previous generation drive and control products, we specialise in partial upgrade options for seamless changeover from analogue to digital and from MG-Sets to power electronic drives. Depending on your equipment condition, we are also able to retain previous generation converters and MG-Sets to be operated with our latest technology. Design of our advanced Winder Control Systems, Regulator Controllers, Converters,

Firing Circuits, Safety Circuit, Brake Control, ESDP (Electronic Speed Distance Protection) and associated circuitry are customised to interface with your system.

Our products and installations are fully backed by local emergency support in South Africa and equipped with connectivity for remote support by our engineers.



# Fire Detection Services

Fire detection systems in mines are required to operate safely without incident or nuisance alarms in explosive atmospheres created by coal dust, methane and diesel fumes. Our fire detection products, certified to SANS 1515, are primarily used in mines for the

early detection of fire to prevent the traumatic loss of lives and the very costly loss of production and equipment caused by mine fires and explosions. We have a team dedicated to the manufacture, sale and repair of various fire detection products.



## We offer:

- Winder Hoist Expertise
- AC/DC Drives
- PLC / IPC Controls
- HMI / SCADA / Data Logging
- Instrumentation
- Advise on most techno-economical solution
- Customization to client needs
- Specialise in partial upgrade options
- Analogue to digital
- MG-Set drives & control
- Integrate with previous generation converters
- Technology Partnership with leading Brand Manufacturers
- Equipped with connectivity for remote support
- Local emergency support in SA

## We offer:

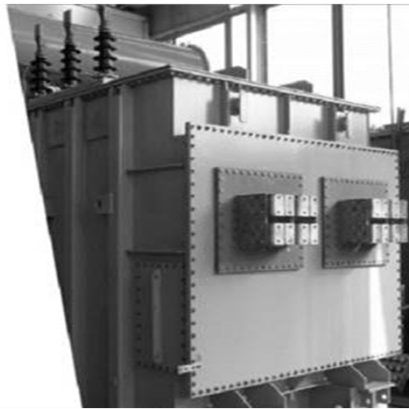
- Systems for use in Explosive Atmospheres (SANS1515)
- Particle Smoke Detectors
- Carbon Monoxide Detector
- Air Flow Sensors
- Methane Detectors
- Repairs
- Discard Radio Active Waste
- On-site support

# Transformers

We offer "Oil immersed" and "Cast Resin" (Dry type) transformers, built and selected to suit each unique application and fully compliant with the latest IEC and SANS standards. Our team will select, supply and install suitably matched medium voltage and low voltage transformers for distribution and electronic drive applications. Each transformer is guaranteed to handle the arduous

environmental and power conditions in remote mining and industrial locations.

Replacement "Cast Resin" coils and transformer components can be provided as strategic spares and in the unlikely event of a failure, we can assist with emergency repairs and coil replacement at our or customer sites.



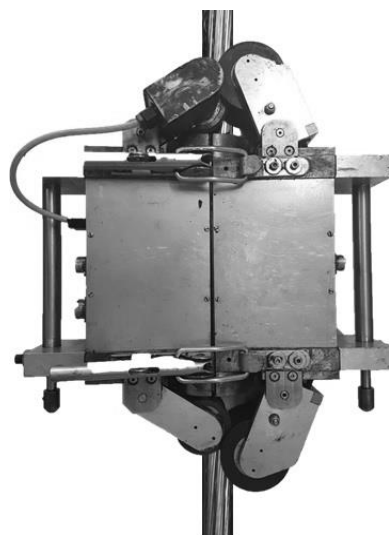
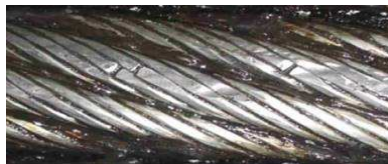
## We offer:

- MV & LV Transformers
- Distribution Transformers
- Specialised transformers for drive application
- Oil or Dry Type Transformers
- Supply only or Turn Key Projects
- Proven Products/Brands
- Replacement coils Manufactured by OEM
- On-site repairs

# Winder Services

In addition to our engineering project services, a dedicated Winder Inspection Department undertakes regular independent, pre-planned technical audits and testing of all mechanical and electrical devices on many winder installations in Southern Africa, with particular emphasis on verifying safe and correct operation, physical condition and spares backing for the equipment.

Actom Industry is fully equipped to perform "**Level 1**" **Technical Audits, Dynamic Brake Tests** and **Magnetic Rope Tests** on all designs and makes of Winders, Hoists, Winches, Chairlifts and related Equipment.



## We offer:

- Planned and unplanned safety inspections on :
  - Winders
  - Hoists
  - Winches
  - Chairlifts
- Winder Audits
- Level 1 Technical Audits
- Dynamic Brake Testing
- Magnetic Rope Testing
- Test on all designs



# Spares & Repairs

Actom Industry strives to extend equipment life of our previous generation drive, control and associated products through our in-house support and repair facility.

Our Spares Department provides After-Sales Service and Spares including service exchange/

components. This is backed by a comprehensive library of instruction manuals and drawings of all previously supplied equipment.



## We offer:

- DC Circuit Breaker Service and Repairs
- Controller Circuit Board Diagnostics and Repairs
- Lilly Setup and Repair
- Manufacture of Swartz Relays
- Replacement parts and components for old and new generation products
- Support for GEM, Sigma and B&R controlled systems
- Comprehensive library of instruction manuals and manuals

# Customer Base

- |                                  |                             |
|----------------------------------|-----------------------------|
| • <b>Anglo American Platinum</b> | • <b>Anglo Gold Ashanti</b> |
| • <b>Arcelor Mittal</b>          | • <b>Bakubung Minerals</b>  |
| • <b>Columbus Stainless</b>      | • <b>Glencore</b>           |
| • <b>GE Power Conversion</b>     | • <b>Impala Platinum</b>    |
| • <b>Goldfields</b>              | • <b>Harmony Gold</b>       |
| • <b>Ivanhoe</b>                 | • <b>Northam Platinum</b>   |
| • <b>Royal Bafokeng Platinum</b> | • <b>Sibanye Gold</b>       |
| • <b>Sibanye PGM Operations</b>  | • <b>Siyanda Resources</b>  |


## Technology Partner & Solution Providers

- ACTOM MV Switchgear
- Beckhoff
- CBI Electric
- GE Power Conversion
- LHMarthinusen
- Marthinusen & Coutts
- Phoenix Contact
- Rockwell Automation
- Schneider Electric
- Sécheron
- Semi Conductor Solutions
- Trafo Power Solutions
- Trasfor
- Quartzelec
- Wago
- WEG Group

# Project References

2007 - Goldfields 4736kW Double Drum Rock Winder - Replacement supervisory computer system  
2007 - Konkola Copper Mines 8206kW Electrical Rock Winder - 11kV Feeder Panel for KDMP Surface Conveyor  
2008 - Anglo Gold Ashanti 6900kW Double Drum Rock Winder - Speed / distance protection upgrade  
2008 - Anglo Gold Ashanti 6900kW Double Drum Rock Winder - Speed / distance protection upgrade  
2008 - Anglo Gold Ashanti 14778kW BMR Man Winder - Speed / distance protection upgrade  
2008 - Anglo Gold Ashanti 2132kW Single Drum Man Winder - Speed / distance protection upgrade  
2008 - Harmony Gold 2600kW Double Drum Man/Mat Winder - AC Servo Motor & Drive System.  
2009 - Goldfields 12126kW Angled BMR Rock Winder - Complete Electrical upgrade  
2009 - Konkola Copper Mines BMR Koepe Rock Winder - Replacement Armature for DLC 156/62 DC Motor  
2010 - Lonmin Man Winder - Motors Field Coil replacement  
2010 - Harmony Gold 3430kW DC Double Drum Rock Winder upgrade  
2011 - Goldfields 4500kW Double Drum Rock Winder - Regulator, Control & Safety, SCADA & Software upgrade  
2011 - Anglo American Platinum 4400kW Double Drum Man/Mat Winder - Replace Microcontrollers and HMI  
2011 - Northam Plat 4736kW RH Double Drum Man Winder - Regulator, Control & Safety upgrade  
2011 - Northam Plat kW SAG & Ball Mill - PC & SCADA upgrade  
2012 - Selebi-Phikwe Service Rock Winder - DC Circuit breakers upgrade  
2012 - Lonmin 2110kW BMR Koepe (Tower) Rock Winder - Replacement Static Speed/Distance Protection System  
2012 - Bafokeng Rasimone Platinum Mine Rock Winder - Electrical Drive and Control System  
2013 - Anglo Gold Ashanti 2312kW RV Man Winder - Converter upgrade  
2013 - Anglo American Platinum 4400kW Man Winder - Ward Leonard replacement and PECE upgrade  
2013 - Goldfields 12126kW Angled BMR Rock Winder - Replacement Sécheron DC Circuit Breaker  
2013 - Konkola Copper Mines 1500kW Service Rock Winder - Cyclo Converter Drive and Control upgrade  
2014 - Sibanye 4475kW Double Drum Man/Mat Winder - Converter upgrade & replacement safety circuits  
2014 - Konkola Copper Mines BMR Rock Winder - Encoder & Bell Signalling Interface  
2014 - Goldfields 6620kW Surface Rock Winder - Electrical Converter & Regulation Equipment Transfer & upgrade  
2014 - Sibanye Man/Mat Winder - Vacuum Circuit Breaker Switchboards  
2014 - Anglo American Platinum 4400kW Double Drum Man/Mat Winder - Replacement LFDB Microcontrollers  
2015 - Sibanye BMR Rock Winder - HT and LT Switchgear replacement  
2015 - Harmony Gold Double Drum Man Winder - Electrical Drive & Control Equipment  
2015 - Harmony Gold Rock Winder - MV Switchgear replacement  
2015 - Mopani two 13616kW Rock Winders – Complete new electricals with AC VSI Drive & Control System  
2015 - Mopani two 6808kW Man Winders – Complete new electricals with AC VSI Drive & Control System  
2016 - Sibanye 4500kW Double Drum Rock Winder – Thyristor converter firing circuit and regulator upgrade  
2016 - Anglo Gold Ashanti 6900kW Surface Rock Winder - Control, Scada, Electrical upgrade  
2016 - Goldfields 8400kW Angled BMR Man Winder - Armature / Field Converter upgrade  
2016 - Selebi-Phikwe 930kW Double Drum Twin Deck Service Winder - Regulator, Control and Safety & SCADA  
2016 - Sibanye 2 x 8250kW ECBMR Rock Winder Field Converter, Regulator, Control, Safety, ESCORT & MCC upgrade  
2018 - Sibanye 2000kW Sub Vertical Man/Material Winder – Safety and Control upgrade  
2016 - Anglo Gold Ashanti 7389kW BMR Man Winder - Converter Firing System Regulator upgrade  
2017 - Sibanye 4500kW Double Drum Rock Winder - Replace DC Circuit Breaker  
2017 - Goldfields 6063kW Angled BMR Rock Winder - Vent Shaft Sheave Wheel Compensation  
2017 - Anglo Gold Ashanti 4259kW BMR Man Dual Purpose Winder - PLC upgrade  
2018 - Ivanhoe Mines DRC 2 x 1750kW Koepe Rock Winder - Electrical Drive & Control Installation  
2018 - Sibanye 8360kW BMR Rock Winder - Escort Brake Control, Switchgear upgrade  
2018 - Anglo American Platinum 4086kW Double Drum Rock Winder - Replacement Electrical Control  
2019 - Goldfields 2 x 4200kW Angled BMR Man Winder - Alternative Brake Control upgrade  
2019 - ArcelorMittal Blast furnace - 8-panel 11kV Actom AMV12 Switchgear replacement  
2019 - Northam Plat 2 x 4226kW Double Drum Rock Winder - Control & Regulator upgrade  
2019 - Sibanye 4715kW Dual Purpose Rock Winder - Regulator & DC Circuit Breakers  
2019 - Anglo American Platinum 60000kW 11kV Intake Substation - 45-panel Indoor MV Switchgear retrofit  
2020 - Harmony Gold 2 x 1865kW Double Drum Man Winder - Escort Breaking Monitoring PLC & Static Speed/Distance Protection System upgrade  
2020 - Goldfields 2 x 2400kW Man Winder - Closed Loop Brake Control Electrical upgrade  
2020 - Sibanye 4715kW Dual-Purpose Winder - Regulator & DC Circuit Breaker upgrade  
2020 - Sibanye Gold 3825kW Double Drum Man Winder - Regulator and DC Circuit Breaker upgrade  
2020 - Northam Plat 4428kW Double Drum Dual-Purpose Winder - Control, SCADA/PC and Regulator upgrade  
2020 - Sibanye 2 x 3170kW BMR Rock Winder - Regulator, Converters, Control & Safety & SCADA and Breakers upgrade  
2020 - Sibanye S/V 2 x 1680kW Double Drum Man Winder - Regulator, Converter, Control & Safety & SCADA and Breaker upgrade  
2021 - Harmony 4259kW Double Drum Dual-Purpose Winder - Closed Loop Brake Control Electrical upgrade  
2021 - Northam 5379kW Double Drum Rock Winder - Control, SCADA/PC and Regulator upgrade  
2021 - Sibanye S/V 2 x 2540kW Double Drum Rock Winder - Regulator, Converter, Control & Safety & SCADA and Breaker upgrade  
2021 - Anglo American Platinum 4500kW Double Drum Rock Winder – Ward Leonard replacement and complete electrical upgrade  
2022 - Sibanye 4550kW Double Drum Man Winder - Regulator upgrade  
2022 - Sibanye 1 x 4938kW Double Drum Rock Winder – Regulator Upgrade  
2022 - Sibanye S/V 2 x 1680kW Double Drum Man Winder – 4-panel SBV Switchgear upgrade  
2022 - Harmony 2 x 7389kW ECMBR Man Winder – 10-panel MV Protection upgrade  
2022 - Mopani two Man Winder and three Rock Winders – Slack & Tight Rope System installation

# Certification



## CERTIFICATE

This is to certify that

**Actom Engineering, Projects and Contracts**  
29 11th Road  
Kew  
Johannesburg  
2018  
Gauteng  
South Africa



with the organizational units/sites as listed in the annex  
has implemented and maintains a **Quality Management System**.

Scope:  
The Engineering, Procurement and Contracts Management of Electrical Projects for the Mining, Municipal, Power, Railway and General Industries including Anti-vibration products and systems.

Through an audit, documented in a report, it was verified that the Management System fulfils the requirements of the following standard:

### ISO 9001 : 2015

Certificate registration no. 456121 QM15  
Valid from 2018-09-18  
Valid until 2021-09-17  
Date of certification 2018-09-18

**DQS GmbH**  
*Stephan Hecht*  
Managing Director

Accredited Body, DQS GmbH, August-Schanz-Straße 21, 60433 Frankfurt am Main, Germany  
Administrative Office: DQS South Africa, P.O. Box 672, Randburg 2125 - South Africa

1 / 2



## CERTIFICATE

THE INTERNATIONAL CERTIFICATION NETWORK  
**CERTIFICATE**  
DQS Holding GmbH has issued an IQNet recognized certificate that the organization  
**Actom Engineering, Projects and Contracts**  
29 11th Road  
Kew  
Johannesburg  
2018  
Gauteng  
South Africa

with the organizational units/sites as listed in the annex  
has implemented and maintains a **Quality Management System**.

Scope:  
The Engineering, Procurement and Contracts Management of Electrical Projects for the Mining, Municipal, Power, Railway and General Industries including Anti-vibration products and systems.

Through an audit, documented in a report, it was verified that the Management System fulfils the requirements of the following standard:

### ISO 9001 : 2015

Issued on: 2018-09-18  
Expires on: 2021-09-17  
This attestation is directly linked to the IQNet Partner's original certificate and shall not be used as a stand-alone document.  
Registration number: DE-456121 QM15






Michael Drechsel  
Managing Director of  
DQS Holding GmbH

IQNet Partners:  
AENOR Spain AFNOR Certification France APCER Portugal CCC Cyprus CSIO Italy  
CQC China DQM China QQS Czech Republic Cro Cert Croatia DQS Holding GmbH Germany FCAV Brazil  
FONCONORMA Venezuela ICONTEC Colombia Inspectoria Serdicos Oy Finland INTECO Costa Rica  
IRAM Argentina JQA Japan KPO Korea MIRTEC Greece MSZT Hungary Nemko AS Norway NSAI Ireland  
NYSZ-SDS Mexico POCB Poland Quality Austria Austria RIF Russia SRI Israel SRI Slovenia  
SIRIM QAS International Malaysia DQS Switzerland SRAC Romania TEST St Petersburg Russia TSE Turkey YUQS Serbia  
IQNet is represented in the USA by AFNOR Certification, CISO, DQS Holding GmbH and NDA Inc.

\* The list of IQNet partners is valid at the time of issue of this certificate. Updated information is available under [www.iqnet-certification.com](http://www.iqnet-certification.com)



## BROAD-BASED BEE VERIFICATION CERTIFICATE

We Certify that  
**ACTOM (Pty) Ltd Consolidation**  
Company Address: 2 Magnet Road, Germiston, 1413  
Registration Number: 2008/00363/07, VAT Number: 4160247062

This has been audited for compliance with the B-BBEE Act No. 51 of 2003 and the Codes of Good Practice  
Gazette No.34928 of 2013 further revised by Gazette No. 42496 of 2019 and has achieved the following:

### BEE RATING

Level One (1) Contributor  
(Generic Scorecard)

### BEE PROCUREMENT RECOGNITION

135%

| Analysis                           | Score                         | Element                           | Results         |
|------------------------------------|-------------------------------|-----------------------------------|-----------------|
| Black Ownership                    | 32.91 %                       | Ownership                         | 23.00           |
| Black Woman Ownership              | 31.97%                        | Management Control                | 11.82           |
| Black Disruptal Group              | 8.53%                         | Skills Development                | 14.72           |
| Black Trade                        | 8.53%                         | Enterprise & Supplier Development | 40.00           |
| Black Disabled                     | 0.00%                         | Socio-Economic Development        | 5.00            |
| Black Unemployed                   | 0.00%                         | Total                             | 102.54          |
| Black People Living in Rural Areas | 0.00%                         | V.E.S. Initiatives Implemented    | No              |
| Black Military Veterans            | 0.00%                         | V.E.S. Target Achieved            | N/A             |
| Black New Entrants                 | 39.20%                        | Number of Levels Promoted         | N/A             |
| Exclusion Principle Applied        | No                            | Certificate Number                | BB-GEN/2363/20  |
| Modified Exit Through Principle    | No                            | Version Number                    | 1.0             |
| Empowering Supplier                | Yes                           | Issue Date                        | 4 December 2020 |
| Discounting Applied                | No                            | Expiry Date                       | 3 December 2021 |
| Financial Period Reviewed          | 01 April 2019 - 31 March 2020 | Revision Date                     | N/A             |

Verification Manager  
Kyle Mitchell  
Honeycomb BEE Ratings




Honeycomb BEE Ratings (Pty) Ltd Reg No. 2005/0277/0707 - 21, 14th Avenue, Northwood, Benoni 2002  
086 Honeycomb or 011 480 2620 - info@honeycomb-bee.co.za - www.honeycomb-bee.co.za



# Customer Support Lines

## MINE WINDER HOIST Drives & Controls

### SALES & CONTRACTS

Mike Jenkins  
+27 (0) 11 430-8765 / 082-440-0214  
Mike.jenkins@actom.co.za

Dakshesh Naik  
+27 (0) 11 430-8776 / 072-610-0842  
Dakshesh.naik@actom.co.za

### PROJECTS

Johan Furstenburg  
+27 (0) 11 430-88834 / 082-467-9385  
Johan.furstenburg@actom.co.za

Themba Nhlapo  
+27 (0) 11 430-8834 / 081-432-0491  
Themba.nhlapo@actom.co.za

### SPARES & REPAIRS

Martyn Manley  
+27 (0) 11 430-8708 / 084-599-3207  
Martyn.manley@actom.co.za

William Tessner  
+27 (0) 11 430-8824 / 082-937-0000  
William.tessner@actom.co.za

Relize Frieslaar  
+27 (0) 11 430-8704  
Relize.frieslaar@actom.co.za

### COMMISSIONING & ON-SITE SUPPORT

Mike Pinhao  
+27 (0) 11 430-8768 / 083-325-0888  
Mike.pinhao@actom.co.za

Johan Hartzenberg  
+27 (0) 11 430-8757 / 082-564-2021  
Johan.hartzenberg@actom.co.za

Johan Botha  
+27 (0) 11 430-8723 / 082-859-9353  
Johan.botha@actom.co.za

### DESIGN, CONTROL & REMOTE SUPPORT

Dewald van Vuuren  
+27 (0) 11 430-8722 / 076-207-9802  
Dewald.van-vuuren@actom.co.za

Mbongeni Nkosi  
+27 (0) 11 430-8770  
Mbongeni.nkosi@actom.co.za

Tshepiso Maunye  
+27 (0) 11 430-8823 / 083-455-9736  
Tshepiso.maunye@actom.co.za

### LEVEL 1 INSPECTIONS & DYNAMIC BRAKE TEST

Jaco Connoway  
+27 (0) 11 430-8790 / 082-378-5527  
Jaco.connoway@actom.co.za

Riette Sillifant  
+27 (0) 11 430-8819  
Riette.sillifant@actom.co.za

### ELECTRO MAGNETIC ROPE TEST

Jaco Connoway  
+27 (0) 11 430-8790 / 082-378-5527  
Jaco.connoway@actom.co.za

### FIRE DETECTION SYSTEMS Explosive Atmospheres

### SALES & TECHNICAL SERVICES

Heino Preis  
+27 (0) 11 430-8815 / 082-822-7746  
Heino.preis@actom.co.za

Pamela Ndyumbu  
+27 (0) 11 430-8783  
Pamela.ndyumbu@actom.co.za