

# ACTOM OUTDOOR DISCONNECTORS



Assisted Entry Blade AEB Earth Switch  
22-145kV, 25 up to 40kA-3s

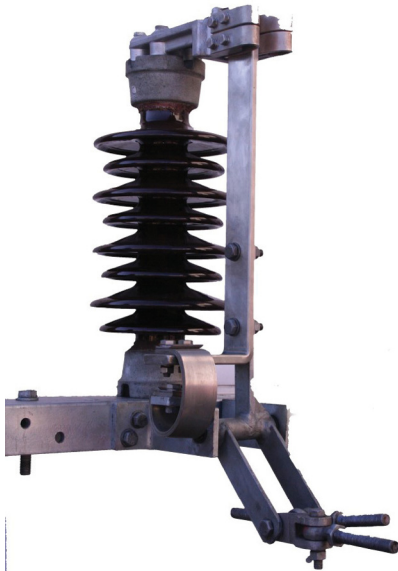
HIGH VOLTAGE EQUIPMENT  
A division of ACTOM (Pty) Ltd



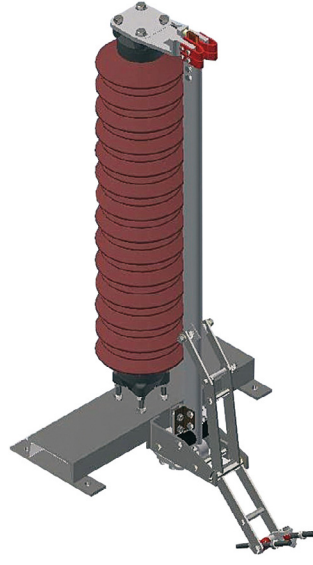
# ACTOM

# ASSISTED ENTRY BLADE AEB EARTH SWITCH

## 22-145KV , 25 UP TO 40KA-3S



Voltage range 22kV up to 44kV fault current rating up to 31.5kA — **NEW**



Voltage range 22kV up to 132kV fault current rating up to 40kA

### FEATURES

- Earth Blade type AEB is either supplied as a triple pole gang operated unit for integral mounting with all types of Disconnectors or, as a triple or single phase assembly for use as a separately mounted earth switch.
- Mechanical testing class M2 10000 ops.
- These Earthing switches have no making capability IEC62271-102, class E0;
- Reverse loop design fixed contact fingers of HD HC copper with silver plated contact area.
- Each finger is backed by a stainless steel compression spring to ensure positive contact pressure.
- Springs insulated from current path
- One or two pairs of fingers fitted dependant on the through fault current rating.
- Interchangeable moving contacts of HC extruded copper section, profile designed for High density current and multi-point contact.

- A wiping clean action is produced by the opening and closing operations.
- Copper Electro tinned blade for 31.5kA
- Aluminium Blade 40kA.
- Adjustable blade enabling “over top dead centre” positioning of blade locking and driver leavers.
- Tinned copper laminated shunt conductors bolted to the main blade and to a terminal pad for earth mat.

### ADDITIONAL OPTIONS

- When supplied for integral mounting for disconnectors, an integrated interlock is always provided to ensure the switch cannot be closed while the main disconnector is closed and visa versa.
- In the case of a separately mounted earth switch mechanical key interlocks can be fitted to the operating mechanism as required to provide interlocking with other equipment.
- Induced Switching contacts Class B (Electromagnetic coupling) and (Electrostatic coupling). IEC62271-1,102 10 make break operations at

an induced current 160A and rated induce voltage 20kV, 10 make break operations at an induce current of 25A and rated induced voltage 32kV.

- Electro-mechanical interlocking can be provided between Disconnector and Earth switch.
- Motor operation is available.

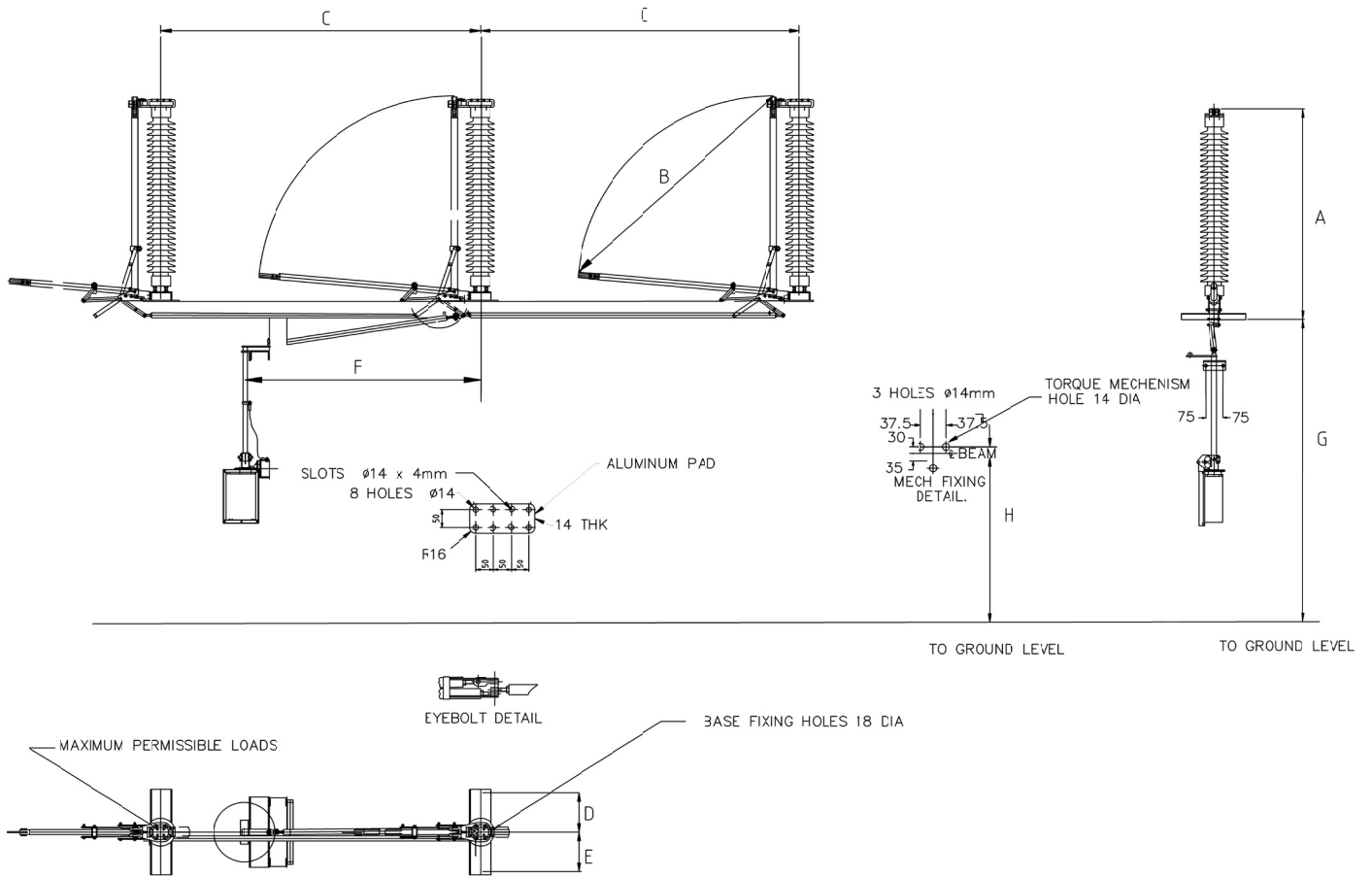
AEB Earth Switches		ACTOM ES Range						
Rated Voltage kV	Class 0	24	36	52	72.5	100	132	145
Nominal Voltage kV		22	33	44	66	88	123	132
Rated STC (kA/s) Tk		Up to 31.5/3						
Rated Peak Current (kA) Ip		Up to 78/300ms						
Basic Insulation Level BIL Up		150	200	250	325/350	380/450	550	650
Power Frequency Withstand (kV)pk		50	70	95	140	150/185	230	275
Creepage (mm/kV)		20 -31						
Insulation Material		Porcelain / Silicon Rubber						
Mechanical Class		M1&M2						
Frequency		50 Hz						
Optional								
Motor Mechanism		*	*	*	*	*	*	*
Disconnectors (DSB , SSB, FEFE)		*	*	*	*	*	*	*
Mechanical Key Locks		*	*	*	*	*	*	*
Electro-mechanical interlocking		*	*	*	*	*	*	*
Induced current switching - Class B (Electromagnetic coupling )					*	*	*	*
Induced current switching - Class B (Electrostatic coupling)					*	*	*	*
Enviromental								
Ambient Temperature		-20°C + 50°C						
Humidity		0 -100%						
Altitude		Up to 1000mm						
Standards								
IEC		IEC 62271-1						
		IEC 62271-102						

\*C Special application Minimum phase spacing can be calculated on request

\* Actual dimensions may differ depending on application design changes

All Disconnectors and Earthing Switches are made by ACTOM High Voltage Equipment under licence to Lucy Electric, Banbury, United Kingdom.





## EARTH SWITCH STANDARD DIMENSIONS

		A	B	C*	C*	D*	E*	F*	G*	H*
Nominal working Voltage	Impulse withstand voltage	Terminal Pad Height	Isolating Distance	Recommended Phase Centres	Minimum Phase Centres	Standard base fixing centres		Minimum Dimension	Mounting Height	Operating Mechanism Height
22kV	150kV	630	360	1200	1100	*	*	1000	As required	1100
33kV	200kV	760	420	1400	1300	*	*	1000	As required	1100
44kV	250kV	845	540	1500	1400	*	*	1000	As required	1100
66kV	350kV	1030	780	1600	1500	*	*	1000	As required	1100
88kV	380kV	1140	840	1700	1600	330	330	1000	As required	1100
96kV	450kV	1050	840	1800	1700	330	330	1000	As required	1100
132kV	550kV	1592	1260	2600	2500	330	330	1000	As required	1100
145kV	650kV	1800	1620	2880	2880	330	330	1000	As required	1100

ACTOM High Voltage Equipment  
2 Magnet Road, Knights, 1413.  
Tel : +27 (0) 11 820 5349  
Fax : +27 (0) 11 820 5100

Directions:

GPS Co—ordinates S:S: 26° 11.875'  
E:E: 28° 11.925'

Product Support

Craig Aaron

Mobile: +27 (0) 82 908 5976

Tel : +27 (0) 11 820 5167

Email: [craig.aaron@actom.co.za](mailto:craig.aaron@actom.co.za)



Sales and Marketing Manager

Daniel De Bruyn

Mobile: +27 (0) 72 252 4662

Tel: +27 (0) 11 820 5363

Email: [Daniel.De-Bruyn@actom.co.za](mailto:Daniel.De-Bruyn@actom.co.za)

