

ACTOM COMPOSITE POST INSULATORS

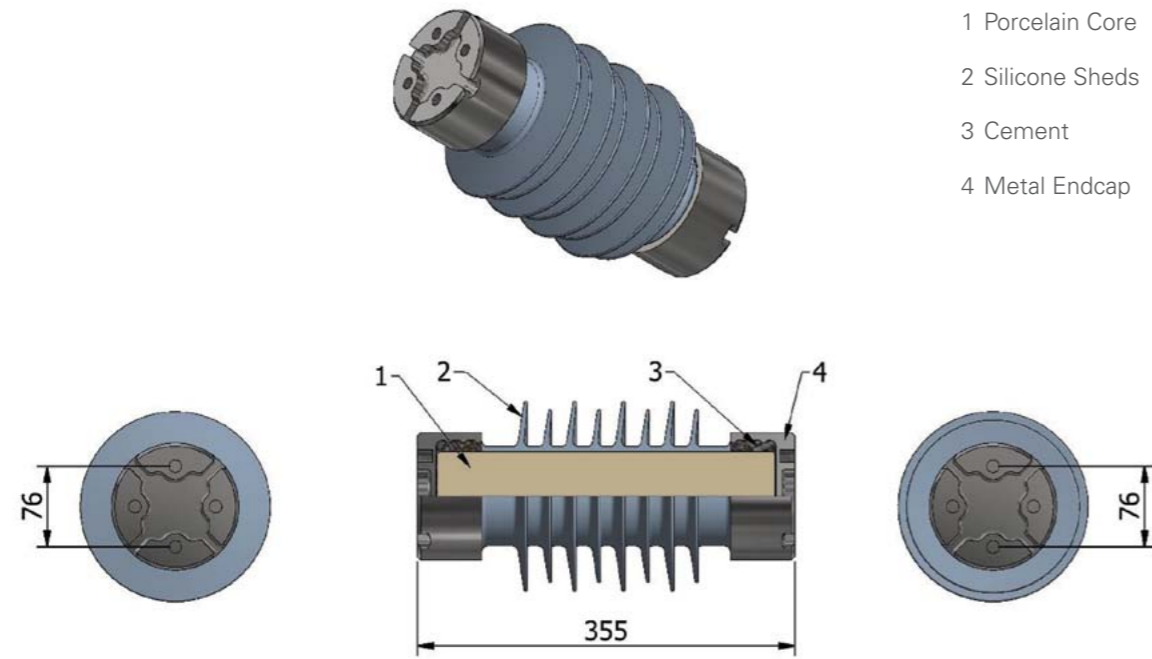


HIGH VOLTAGE EQUIPMENT
A division of ACTOM (Pty) Ltd



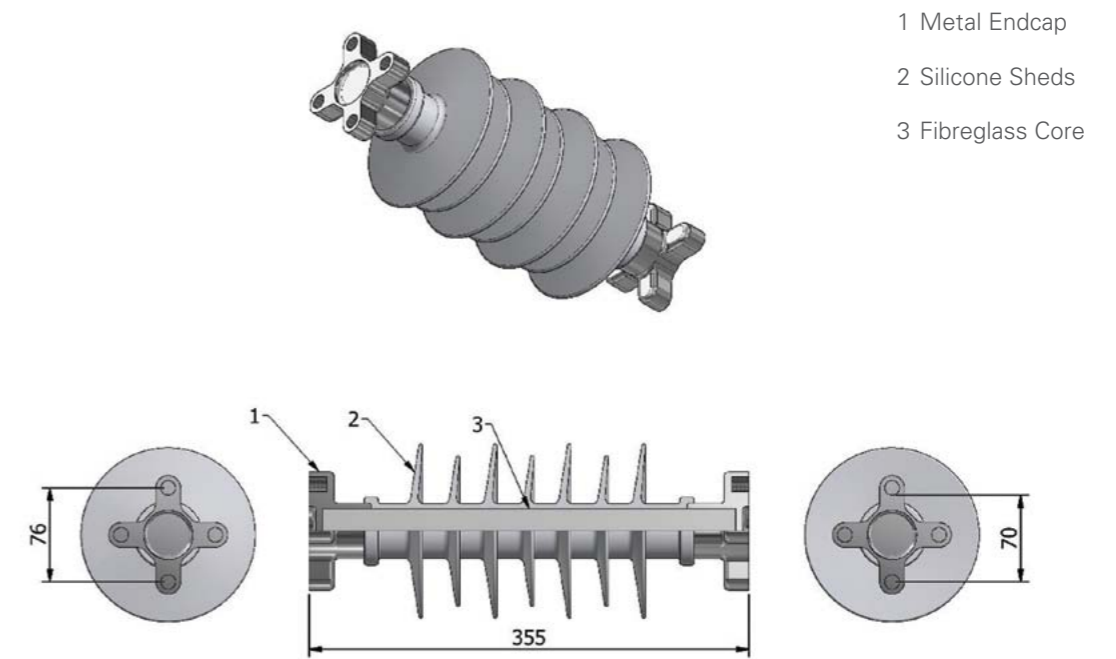
ACTOM

C4/C6/C10-150 HYBRID STATION POST INSULATOR



- 1 Porcelain Core
- 2 Silicone Sheds
- 3 Cement
- 4 Metal Endcap

C8-150 22KV COMPOSITE STATION POST INSULATOR



- 1 Metal Endcap
- 2 Silicone Sheds
- 3 Fibreglass Core

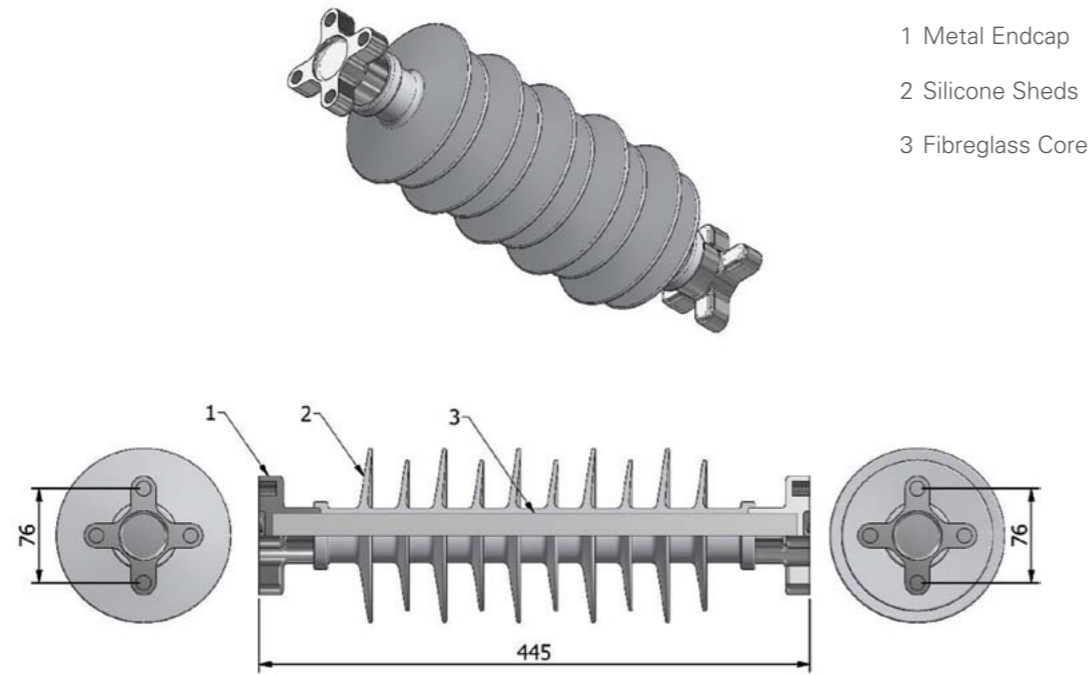
SPECIFICATIONS IEC60273, 60168, 60815, SANS121

Equivalent IEC Designation	C4 / C6 / C8 / C10-200
Nominal Voltage kV	22
Overall length mm	355+/-1
Largest Shed Dia mm	179
Nominal Creepage 31mm/kV	50
Top Cap pcd mm	76 x 4 x (M12)
Bott Cap pcd mm	76 x 4 x (M12)
Cantilever Strength kN	4 / 6 / 8 / 10
Torsional strength kNm	2
Lightning impulse withstand voltage (BIL) kV	150
Dry Power Frequency Flashover kV	80
Wet Power Frequency Flashover kV	50
Approx. weight Kg	7
Colour	Grey

SPECIFICATIONS IEC 62231

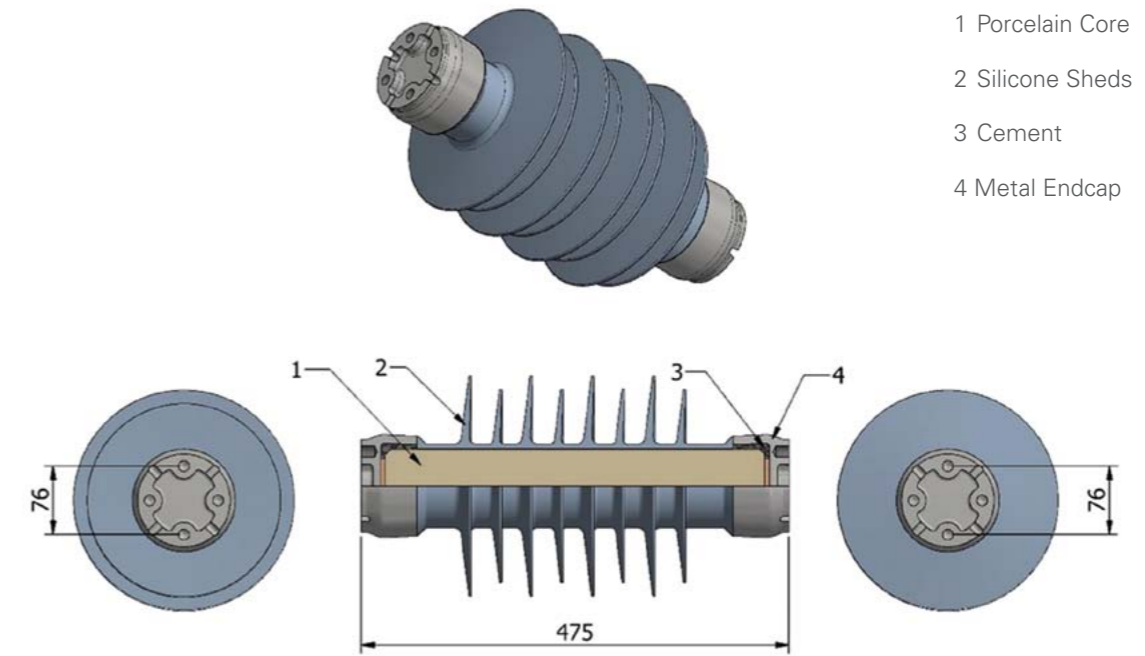
Equivalent IEC Designation	CSP150A-50-720
Nominal Voltage kV	22
Overall length mm	355+/-5
Largest Shed Dia mm	141
Nominal Creepage 31mm/kV	800
Top Cap pcd mm	76 x 4 x (M12)
Bott Cap pcd mm	76 x 4 x (M12)
Cantilever Strength kN	8
Torsional strength kNm	1.5
Lightning impulse withstand voltage (BIL) kV	150
Dry Power Frequency Flashover kV	112
Wet Power Frequency Flashover kV	50
Approx. weight Kg	3
Colour	Grey

C6-170 33KV COMPOSITE STATION POST INSULATOR



- 1 Metal Endcap
- 2 Silicone Sheds
- 3 Fibreglass Core

C4 / C6-200 HYBRID STATION POST INSULATOR



- 1 Porcelain Core
- 2 Silicone Sheds
- 3 Cement
- 4 Metal Endcap

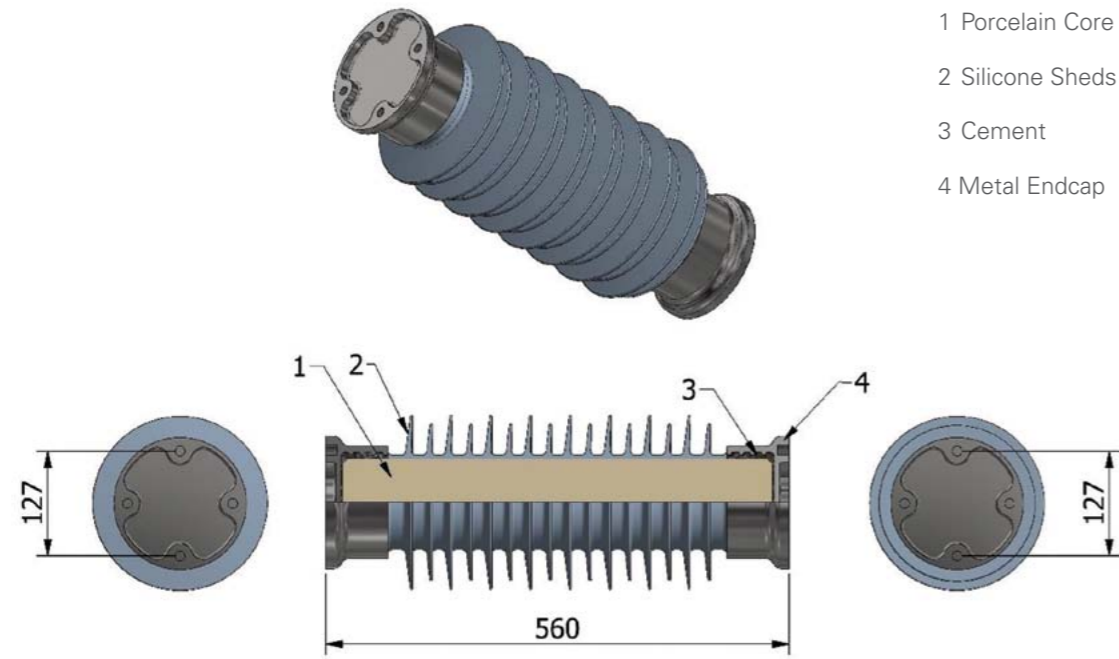
SPECIFICATIONS IEC 62231

Equivalent IEC Designation	CSP170A-50-720
Nominal Voltage kV	33
Overall length mm	445+/-5
Largest Shed Dia mm	141
Nominal Creepage 31mm/kV	1150
Top Cap pcd mm	76 x 4 x (M12)
Bott Cap pcd mm	76 x 4 x (M12)
Cantilever Strength kN	6
Torsional strength kNm	1.5
Lightning impulse withstand voltage (BIL) kV	170
Dry Power Frequency Flashover kV	120
Wet Power Frequency Flashover kV	80
Approx. weight Kg	5
Colour	Grey

SPECIFICATIONS IEC60273, 60168, 60815, SANS121

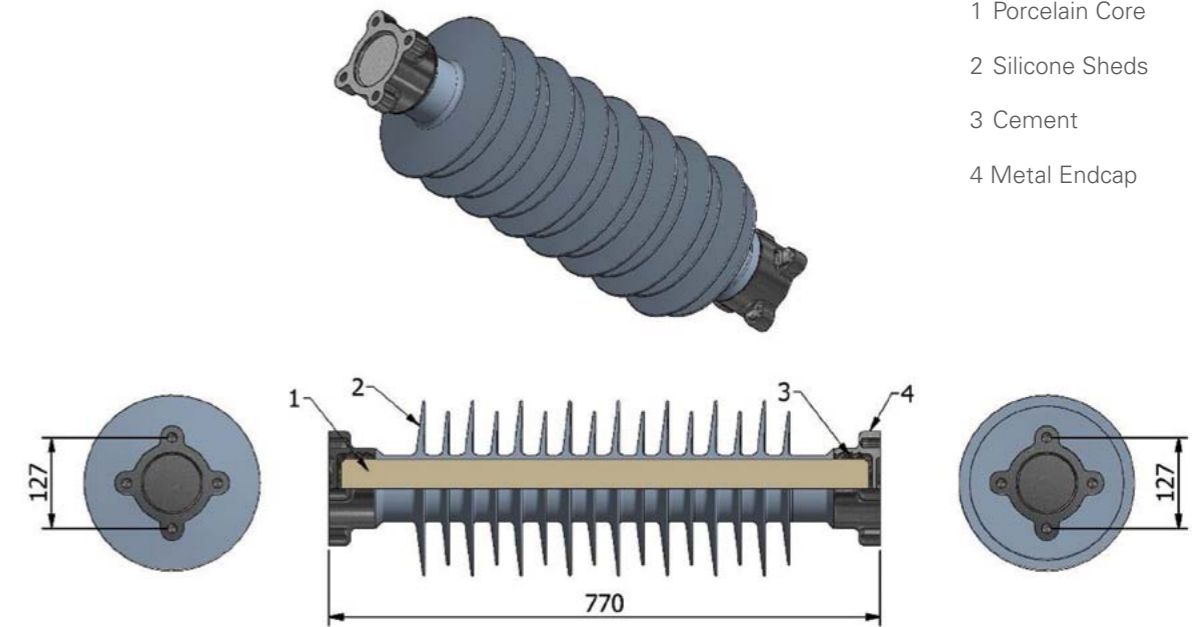
Equivalent IEC Designation	C4 / C6-200
Nominal Voltage kV	33
Overall length mm	475+/-1
Largest Shed Dia mm	245
Nominal Creepage 31mm/kV	1116
Top Cap pcd mm	76 x 4 x (M12)
Bott Cap pcd mm	76 x 4 x (M12)
Cantilever Strength kN	4 / 6
Torsional strength kNm	3
Lightning impulse withstand voltage (BIL) kV	200
Dry Power Frequency Flashover kV	85
Wet Power Frequency Flashover kV	75
Approx. weight Kg	10
Colour	Grey

C4 / C6-250 HYBRID STATION POST INSULATOR



- 1 Porcelain Core
- 2 Silicone Sheds
- 3 Cement
- 4 Metal Endcap

C4 / C6-325 HYBRID STATION POST INSULATOR



- 1 Porcelain Core
- 2 Silicone Sheds
- 3 Cement
- 4 Metal Endcap

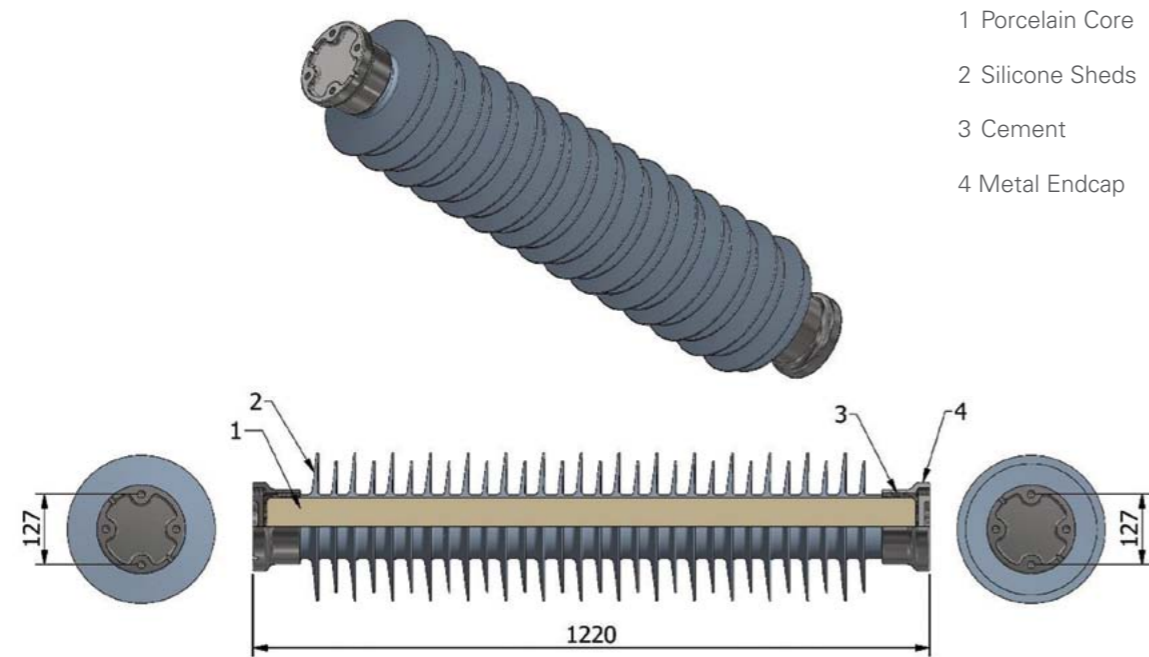
SPECIFICATIONS IEC60273, 60168, 60815, SANS121

Equivalent IEC Designation	C4 / C6-250
Nominal Voltage kV	44
Overall length mm	560+/-1
Largest Shed Dia mm	211
Nominal Creepage 31mm/kV	1620
Top Cap pcd mm	127 x 4 x (M16)
Bott Cap pcd mm	127 x 4 x (M16)
Cantilever Strength kN	4 / 6
Torsional strength kNm	2
Lightning impulse withstand voltage (BIL) kV	250
Dry Power Frequency Flashover kV	170
Wet Power Frequency Flashover kV	95
Approx. weight Kg	15
Colour	Grey

SPECIFICATIONS IEC60273, 60168, 60815, SANS121

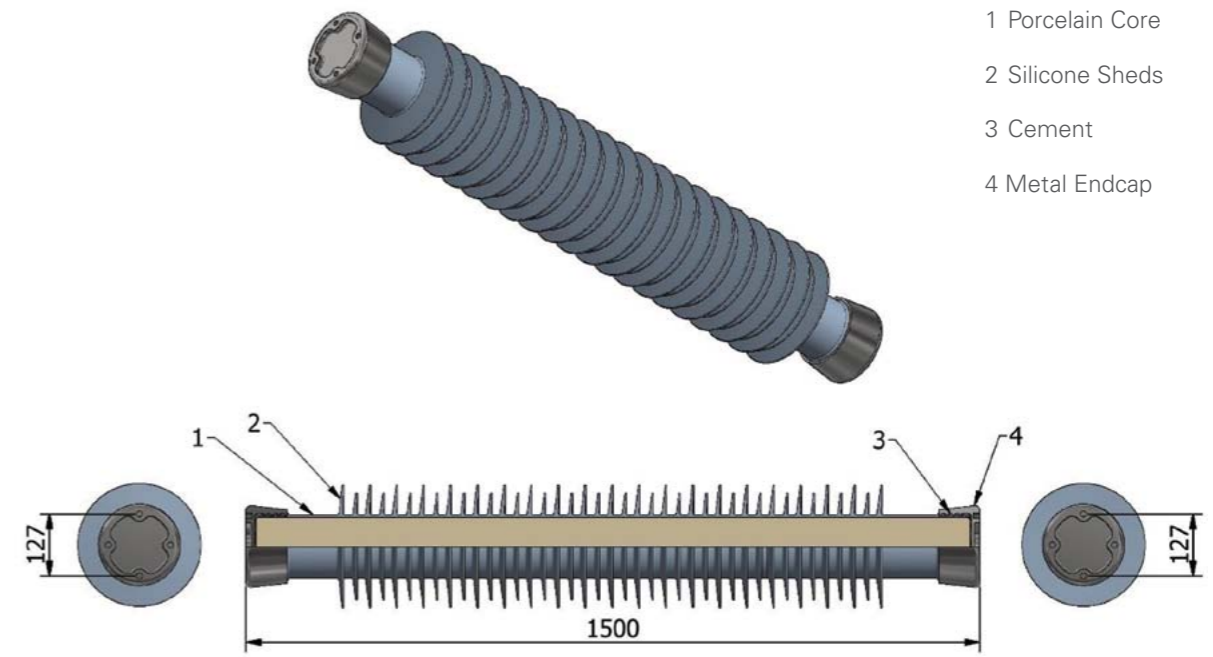
Equivalent IEC Designation	C4 / C6-325
Nominal Voltage kV	66
Overall length mm	770+/-1
Largest Shed Dia mm	245
Nominal Creepage 31mm/kV	1620
Top Cap pcd mm	127 x 4 x (M16)
Bott Cap pcd mm	127 x 4 x (M16)
Cantilever Strength kN	4 / 6
Torsional strength kNm	3
Lightning impulse withstand voltage (BIL) kV	325
Dry Power Frequency Flashover kV	200
Wet Power Frequency Flashover kV	170
Approx. weight Kg	25
Colour	Grey

C4 / C6-550 HYBRID STATION POST INSULATOR



- 1 Porcelain Core
- 2 Silicone Sheds
- 3 Cement
- 4 Metal Endcap

C4 / C6-650 HYBRID STATION POST INSULATOR



- 1 Porcelain Core
- 2 Silicone Sheds
- 3 Cement
- 4 Metal Endcap

SPECIFICATIONS IEC60273, 60168, 60815, SANS121

Equivalent IEC Designation	C4 / C6-550
Nominal Voltage kV	132
Overall length mm	1220+/-1
Largest Shed Dia mm	267
Nominal Creepage 31mm/kV	4495
Top Cap pcd mm	127 x 4 x (M16)
Bott Cap pcd mm	127 x 4 x (M16)
Cantilever Strength kN	4 / 6
Torsional strength kNm	4
Lightning impulse withstand voltage (BIL) kV	550
Dry Power Frequency Flashover kV	348
Wet Power Frequency Flashover kV	230
Approx. weight Kg	47
Colour	Grey

SPECIFICATIONS IEC60273, 60168, 60815, SANS121

Equivalent IEC Designation	C4 / C6-650
Nominal Voltage kV	132
Overall length mm	1500+/-1
Largest Shed Dia mm	252
Nominal Creepage 31mm/kV	4495
Top Cap pcd mm	127 x 4 x (M16)
Bott Cap pcd mm	127 x 4 x (M16)
Cantilever Strength kN	4 / 6
Torsional strength kNm	3
Lightning impulse withstand voltage (BIL) kV	650
Dry Power Frequency Flashover kV	490
Wet Power Frequency Flashover kV	426
Approx. weight Kg	55
Colour	Grey

ACTOM High Voltage Equipment

2 Magnet Road, Knights, 1413.

Tel : +27 (0) 11 820 5349

Fax : +27 (0) 11 820 5100

Directions:

GPS Co—ordinates S:S: 26° 11.875'

E:E: 28° 11.925'

Product Support

Craig Aaron

Mobile: +27 (0) 82 908 5976

Tel : +27 (0) 11 820 5167

Email: craig.aaron@actom.co.za



Sales and Marketing Manager

Daniel De Bruyn

Mobile: +27 (0) 72 252 4662

Tel: +27 (0) 11 820 5363

Email: Daniel.De-Bruyn@actom.co.za

