

ACTOM OUTDOOR AIS DISCONNECTORS



Manual Torque Operating Mechanism Type MT

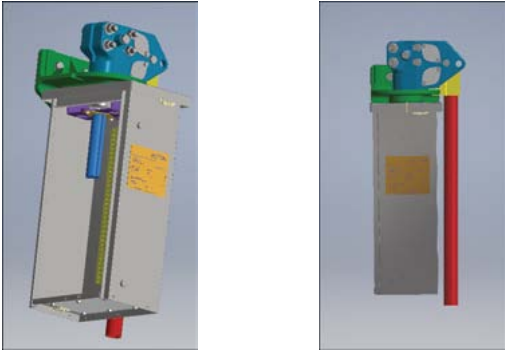
HIGH VOLTAGE EQUIPMENT

A division of ACTOM (Pty) Ltd



ACTOM

MANUAL TORQUE OPERATING MECHANISM TYPE MT



Stainless steel Manual Mechanism box

SAFETY AND RELIABILITY

Our mechanisms, provide real position signalisation of disconnecter and earthing switch as well as necessary operational interlocking functions.

TYPES

- Manual Torque Mechanism
- Manual Torque Mechanism with Electromechanical interlock. Manual Torque mechanism with provision for Mechanical Key locks

BENEFITS

Maintenance Free

- We use the highest quality corrosion resistant materials available.
- The housing has a standard tightness

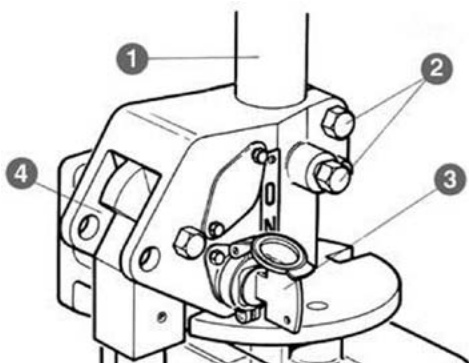
rating of IP65 and is made of stainless steel.

TORQUE MECHANISM

- Torque mechanism is designed for manual gang operation of all rotating post disconnectors
- Operating handle is of a lift up / walk round type with a 180° angle of operation.
- Vertical operating rod position is fully adjustable by clamping and piercing screw feature on the mechanism output coupling.
- Padlocking facilities for both fully open and fully closed positions are incorporated and up to three key interlocks can be fitted to allow any sequence of interlocked operation.
- Integral mounted auxilliary switch

assembly is available with normally open / normally closed circuits arranged as required. Available in any configuration from a 4 pole to 24 pole.

- The Mechanism box can be supplied either in Aluminium or 316 Stainless Steel
- Aluminium Mechanisms have been tested to IP54 Protection rating
- Stainless Steel Mechanisms have been tested to IP 65 Protection rating.
- Mechanism can be fitted with a 2 hole or 3 hole fixing.



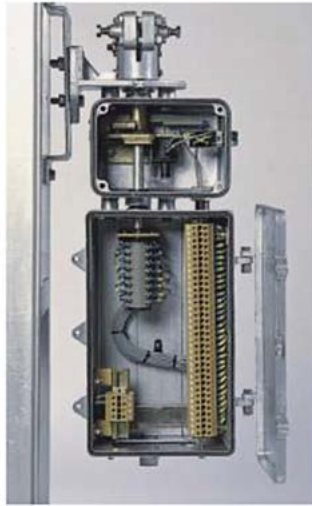
Mechanism housing showing interlock keys.

1. Vertical operating rod
2. Clamping and piercing screws
3. Key interlocks
4. Padlocking facility

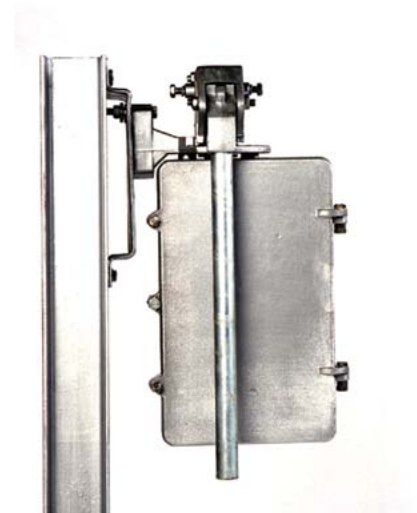
MANUAL TORQUE OPERATING MECHANISM WITH OPTIONAL ELECTRO-MECHANICAL INTERLOCK TYPE MT



Mechanism box plus magnetic bolt interlock in same housing

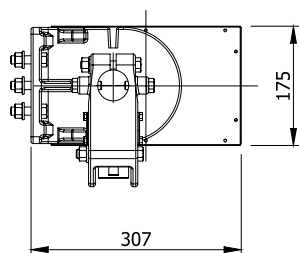
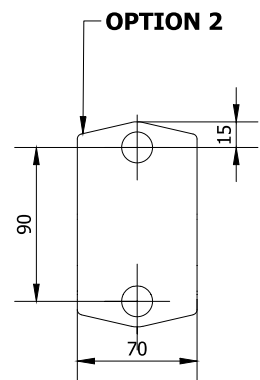
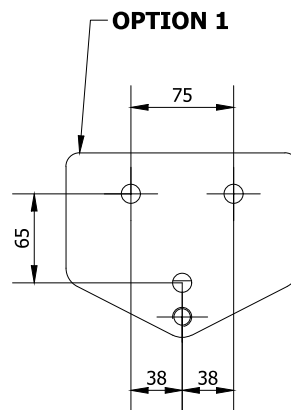
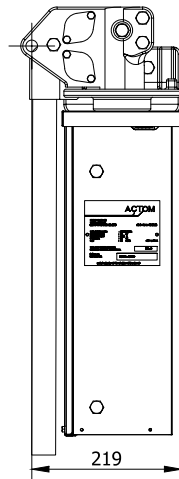
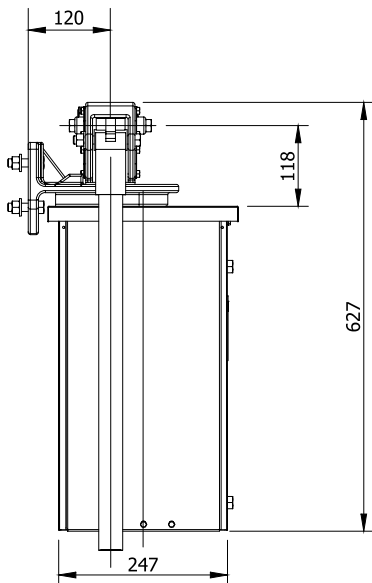


Mechanism box plus magnetic bolt interlock in separate housing



Aluminium Mechanism box with lid

STANDARD DIMENSIONS



ACTOM High Voltage Equipment
2 Magnet Road, Knights, 1413.
Tel : +27 (0) 11 820 5349
Fax : +27 (0) 11 820 5100

Directions:

GPS Co—ordinates S:S: 26° 11.875'
E:E: 28° 11.925'

Product Support

Craig Aaron

Mobile: +27 (0) 82 908 5976

Tel : +27 (0) 11 820 5167

Email: craig.aaron@actom.co.za



Sales and Marketing Manager

Daniel De Bruyn

Mobile: +27 (0) 72 252 4662

Tel: +27 (0) 11 820 5363

Email: Daniel.De-Bruyn@actom.co.za

